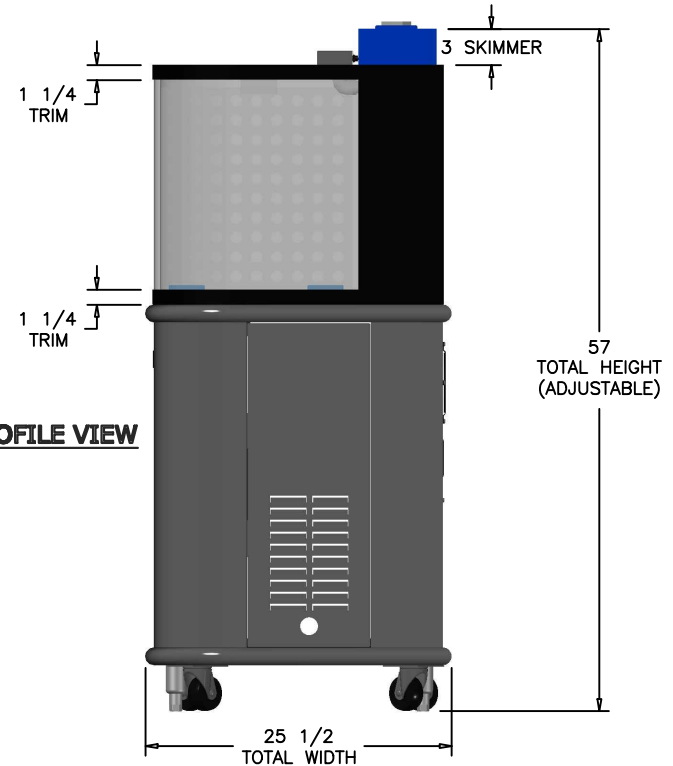
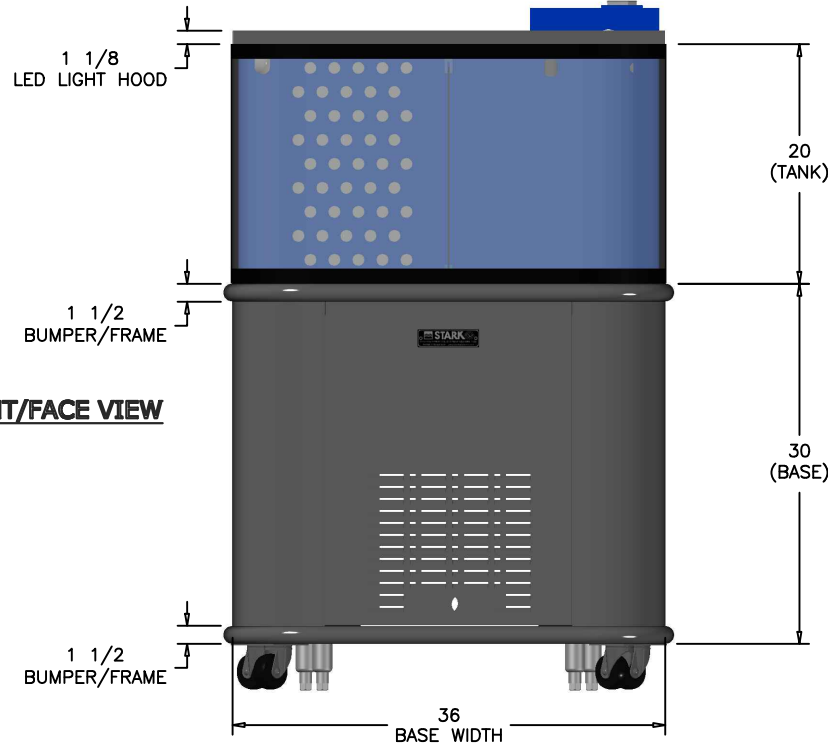
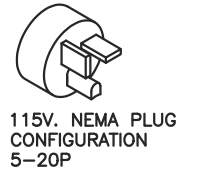


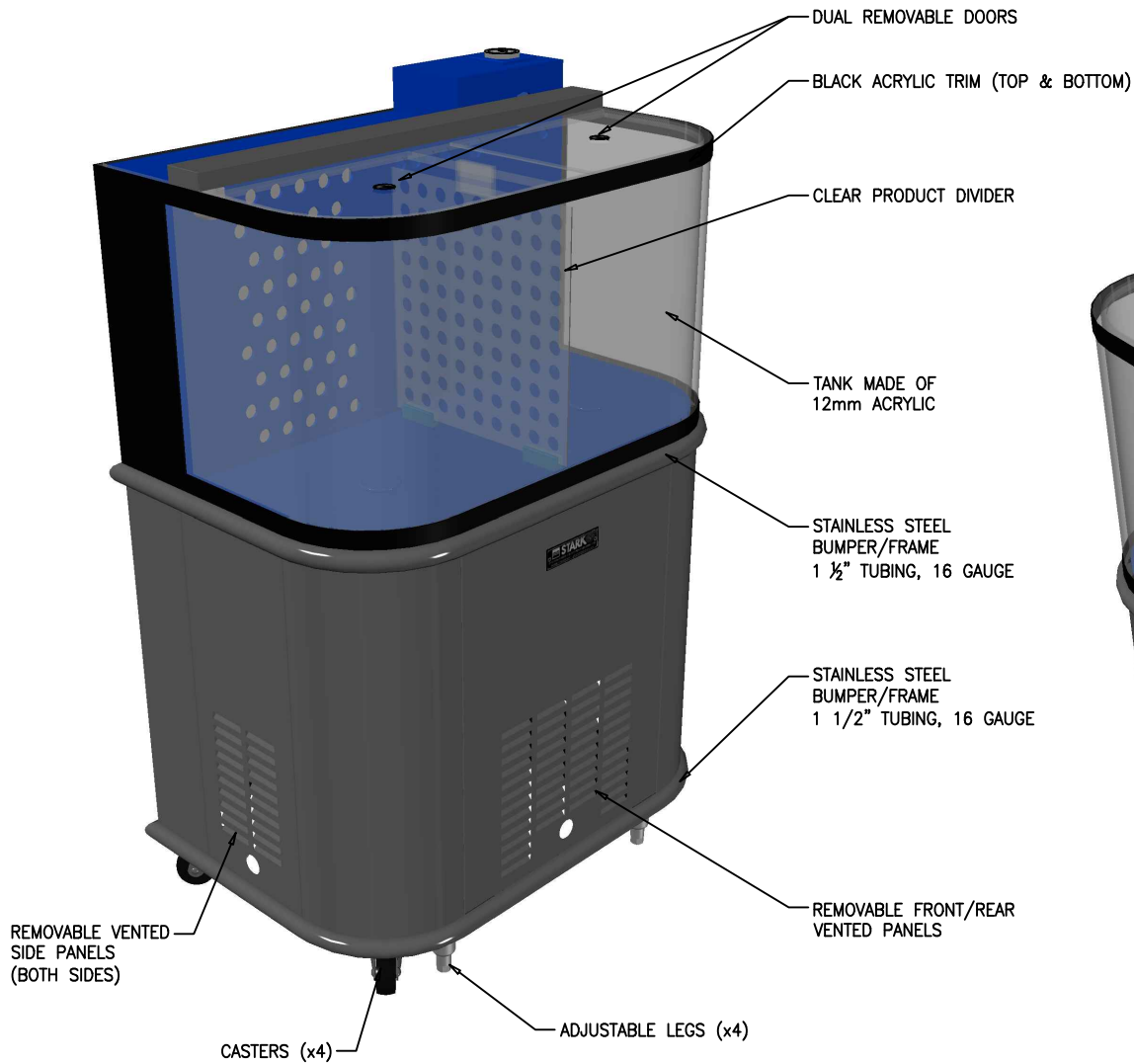
NOTES:

1. PRODUCT CAPACITY IS approx. 65 gal/Lbs.
 2. TANK IS REAR OPERATED.
 3. TANK EQUIPPED WITH:
 - 1/3 HP COMPRESSOR (FOR R404A).
 - 1/2 HP JACUZZI PUMP (115 VOLTS).
 - 15 WATT ULTRAVIOLET STERILIZER (115 VOLTS).
 - CHILLER BARREL W/TITANIUM COIL.
 - FILTER SIZE 10 1/2"x18"
 3. PROVIDE:
 - TWO DEDICATED LINES 115V,20A,60HZ.,
 - FLOOR DRAIN.
 4. FLOOR DRAIN AND ELECTRICAL OUTLET LOCATION TO BE CONFIRMED BY CUSTOMER.
 5. 1 1/4" PVC PIPE RUN INDIRECTLY TO FLOOR DRAIN.
- * ETL LISTED.

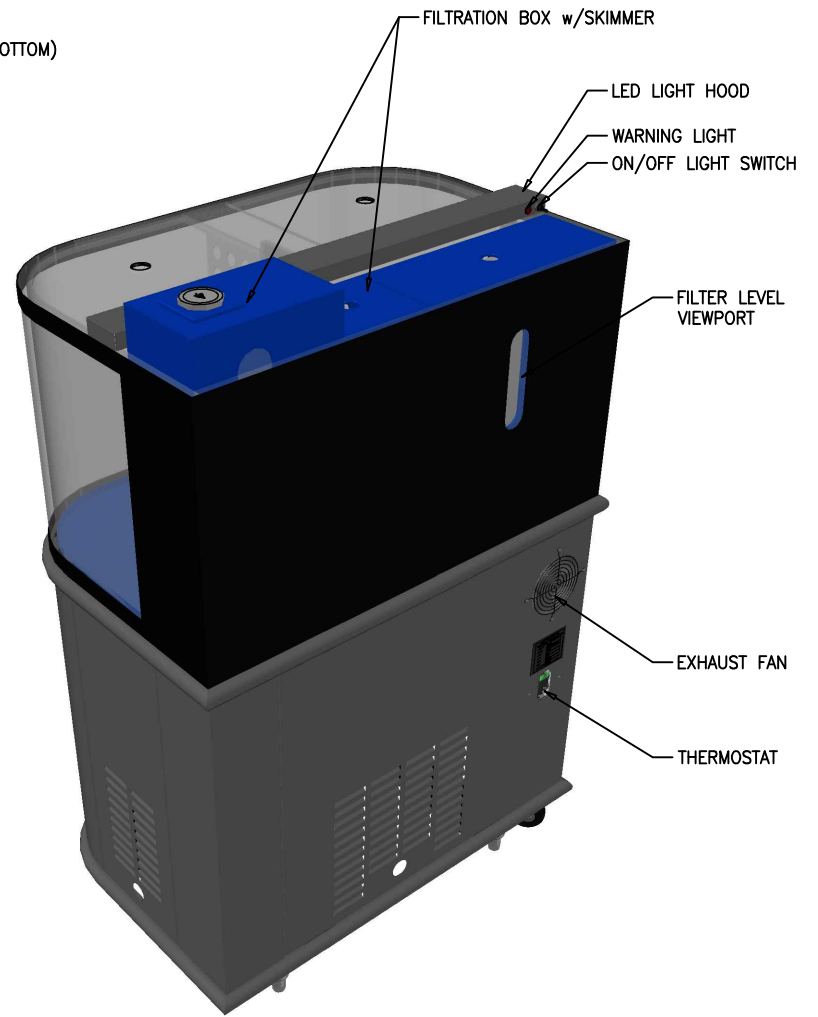


STARK PRODUCTS COMPANY CONFIDENTIAL AND PROPRIETARY INFORMATION
 THIS DRAWING CONTAINS CONFIDENTIAL AND PROPRIETARY INFORMATION YOU MAY NOTE
 1.) DIVULGE IT TO THIRD PARTIES WITHOUT THE EXPRESS PRIOR WRITTEN CONSENT OF STARK PRODUCTS CO., OR
 2.) MAKE ANY USE OF IT EXCEPT FOR THE SPECIFIC PURPOSE FOR WHICH STARK PRODUCTS CO. HAS MADE IT AVAILABLE TO YOU

		DATE	STARK PRODUCTS CO., INC.		
DRAWN	A.W.	1/30/20	29-14 122 ST. COLLEGE POINT QUEENS NY 11354		
REVISED	A.W.	1/30/20	SLS-60 CURVE SELF-CONTAINED TANK		
JOB.No.	SLS-60 CURVE				
DWG. No.	SLS60C_REV5		SIZE	CUSTOMER'S NAME:	SHT. OF REV.
SCALE	3/4"=1'-0"		A		1 2 5



FRONT PERSPECTIVE



REAR PERSPECTIVE

STARK PRODUCTS COMPANY CONFIDENTIAL AND PROPRIETARY INFORMATION
 THIS DRAWING CONTAINS CONFIDENTIAL AND PROPRIETARY INFORMATION
 YOU MAY NOT
 1.) DIVULGE IT TO THIRD PARTIES WITHOUT THE EXPRESS PRIOR
 WRITTEN CONSENT OF STARK PRODUCTS CO.,
 OR
 2.) MAKE ANY USE OF IT EXCEPT FOR THE SPECIFIC PURPOSE FOR
 WHICH STARK PRODUCTS CO. HAS MADE IT AVAILABLE TO YOU

		DATE	STARK PRODUCTS CO., INC.		
DRAWN	A.W.	1/30/20	29-14 122 ST. COLLEGE POINT QUEENS NY 11354		
REVISED	A.W.	1/30/20	SLS-60 CURVE SELF-CONTAINED TANK		
JOB.No.	SLS-60 CURVE				
DWG. No.	SLS60C_REV5		SIZE	CUSTOMER'S NAME:	SHT. OF REV.
SCALE	NA		A		2 OF 2 5